

DDC



Panamatic Maxi Bedpan Washer Disinfector

A bedpan washer offers a fast, reliable, and cost-effective solution for disposing of hazardous human waste, significantly improving efficiency over traditional hand-washing methods while minimising clinicians' exposure to harmful pathogens.



Redefining Infection Control

Our range of washer disinfectors have been developed over decades to provide you with a fast and safe human waste disposal system with passive safety measures to minimise the risk of infection.

Designed to empty, wash and disinfect plastic or stainless steel human waste containers such as bedpans, commode pots and urine bottles, as well as washbowls, our bedpan washer disinfectors incorporate the latest technological advances.

The Panamatic Maxi provides massive capacity within a surprisingly compact frame. Its large internal chamber accommodates up to 6 items, including up to 2 large bowls.

Performing a cold water wash, followed by thermal disinfection the Maxi is a versatile bedpan washer with large capacity to cope with high demand wards or care settings.




DDC Dolphin's range of Panamatic Bedpan Washers underpin the infection control strategy of thousands of facilities around the world.


Key Benefits

- Reduce cross contamination of infectious materials and minimise the risk of ward outbreaks, keeping staff and patients safe.
- Incorporates the latest technological advances and able to achieve thermal disinfection levels in line with NHS periodic testing guidelines.
- Largest capacity model to suit very high usage healthcare environments.
- High quality materials and components, including 304 grade stainless steel cabinet & chamber.

Panomatic Maxi Features

 **Extra large capacity machine**
Suit high usage environments.


 **Unique multi-utensil racking design**
Extremely convenient with one rack to fit all standard bedpan sizes.


 **Rapid cycle**
Washing and disinfection cycle


 **Hands-free open technology**
Using a foot sensor to minimise cross infection and facilitate ease of use.


 **Top-loading**
For a simple loading and emptying process.


 **High quality materials and components**
Smooth, crevice-free surfaces to minimise trapped bacteria. Front panel incorporating antimicrobial technology to reduce the possibility of microbial growth.

 **Chemical scale management system**
Suitable for soft and hard water areas.

 **Rotating wash nozzles and strategically sited spray jets**
Ensure a superior wash performance.

 **Cold wash cycle**
For a thorough cleaning process prior to thermal disinfection.

 **Optional programmable audio***
Language specific to ensure correct and proper use by staff.

 **Compact**
Save space, making it suitable for all room types and sizes.

 **Easy connection electrical supply**
So you can connect and go!

*Optional feature. Available in various languages—contact our team for more information.



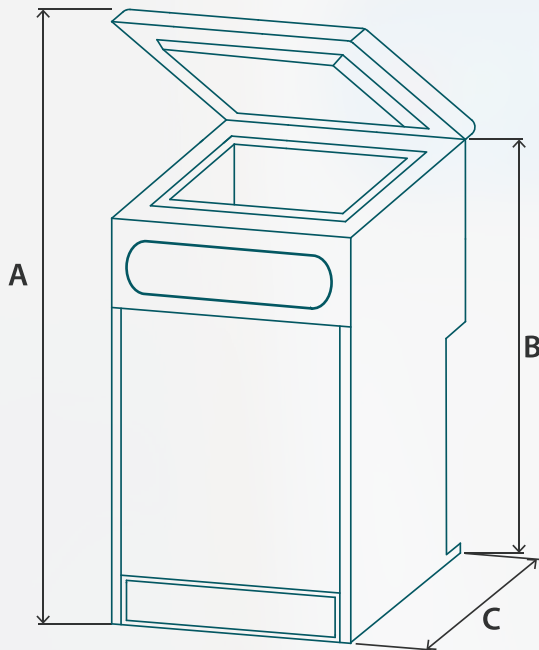
Technical Specifications

GENERAL	
Stainless Steel grade:	304
Dimensions w x h x d (lid closed):	600 x 1900 ±3 x 600mm
Weight (Machine Only):	Dry 81.5kg Wet 108.5kg
Capacity:	3 pots + 3 urine bottles
Ingress protection:	IP22
Operation cycle time:	10 minutes
Decibel rating:	<70 dba
CHEMICAL SYSTEM	
Recommended chemical:	Aqua Shield
Chemical dosing per cycle:	40.5ml (adjustable to suit water hardness)
ELECTRICAL	
230V Voltage:	230V / 50Hz with dedicated 13A breaker
Circuit protection (230 Voltage):	30mA EPD / GFEP / EGFPD, EN 60947-2
Rated power input:	2.55kW
Electrical consumption per cycle:	0.333kWh
Steam generator power:	2.5kW
Pump power:	0.75kW
Water	
Water connection:	3/4" BSP male fittings required (washing machine hose)
Water pressure:	Cold Water supply pressure 1 - 6 Bar
Water flow rate (Min):	12L per minute at 1 bar
Water tank capacity:	27L
Water consumption per cycle:	33L
Waste connection:	75mm ID (3") Pushfit
Overflow connection:	20mm
Waste Height:	160mm to 425mm - See Installation Preparation Guide for full details.

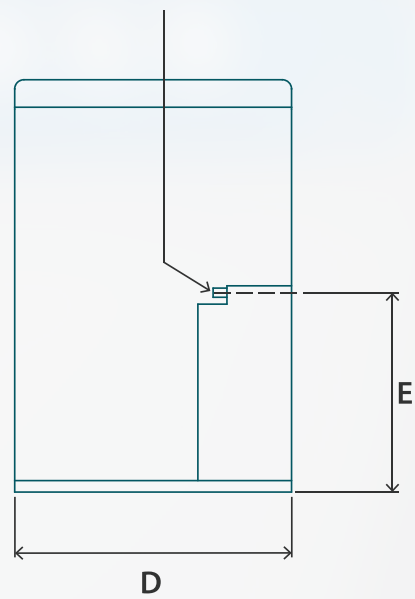
*Specifications correct at time of print

Dimensions

Clearance for lid



Overflow output: 20mm outer diameter



	Millimetres
A	1500 ±3
B	900 ±3
C	600
D	600
E	415

DDC



Certificate Number 1181
9001/14001



+44 (0) 1202 731 555

INFO@DDCDOLPHIN.COM

DDCDOLPHIN.COM