

DDC



Panamatic Optima 2 Bedpan Washer Disinfector

A bedpan washer offers a fast, reliable, and cost-effective solution for disposing of hazardous human waste, significantly improving efficiency over traditional hand-washing methods while minimising clinicians' exposure to harmful pathogens.



DDCDOLPHIN.COM

Redefining Infection Control

Our range of washer disinfectors have been developed over decades to provide you with a fast and safe human waste disposal system with passive safety measures to minimise the risk of infection.

Designed to empty, wash and disinfect plastic or stainless steel human waste containers such as bedpans, commode pots and urine bottles, as well as washbowls, our bedpan washer disinfectors incorporate the latest technological advances.

Performing an initial cold rinse, followed by a hot wash cycle, the Panamatic Optima 2 is a versatile bedpan washer with large capacity to cope with high demand wards or care settings.



DDC Dolphin's range of Panamatic Bedpan Washers underpin the infection control strategy of thousands of facilities around the world.

Key Benefits

- Reduce cross contamination of infectious materials and minimise the risk of ward outbreaks, keeping staff and patients safe.
- Incorporates the latest technological advances and able to achieve thermal disinfection levels in line with NHS periodic testing guidelines.
- Large capacity to suit high usage healthcare environments.
- High quality materials and components, including 304 grade stainless steel cabinet & chamber.

Panomatic Optima 2 Features



Large capacity machine
Suit high usage environments.



Chemical scale management system
Suitable for soft and hard water areas.



Rapid cycle
Washing and disinfection cycle.



Completely hands-free, no touch operation
Reducing infection risk for clinicians and patients.



Top-loading
For a simple loading and emptying process.



High quality materials and components
Smooth, crevice-free surfaces to minimise trapped bacteria.



Antimicrobial surfaces
Minimise cross infection and reduce the possibility of microbial growth.



Unique multi-utensil racking design
Extremely convenient with one rack to fit all standard bedpan sizes.



Rotating wash nozzles and strategically sited spray jets
Ensure a superior wash performance.



Cold and hot wash cycles
For an extra thorough cleaning process prior to thermal disinfection.



Optional programmable audio*
Language specific to ensure correct and proper use by staff.



Compact
Save space, making it suitable for all room types and sizes.



Easy connection electrical supply
So you can connect and go!

*Optional feature. Available in various languages—contact our team for more information.

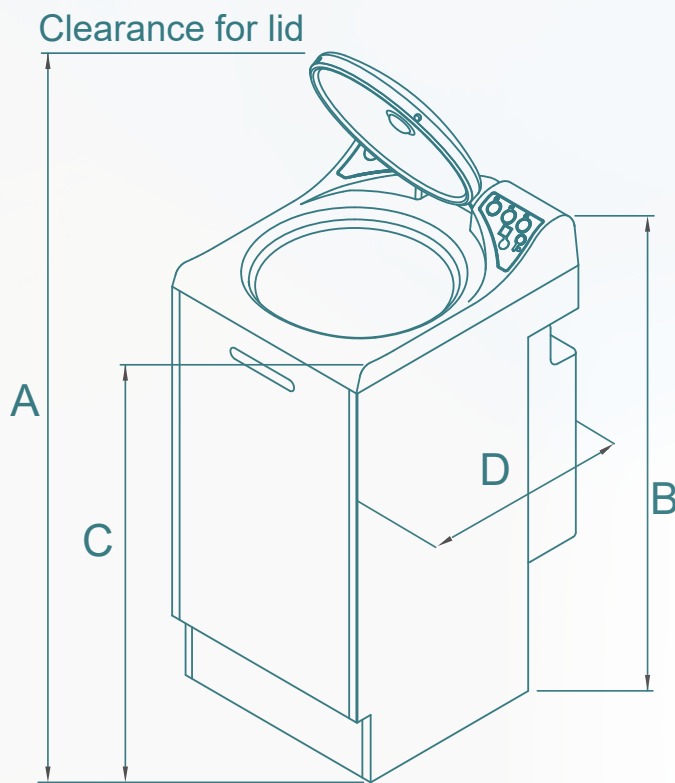


Technical Specifications

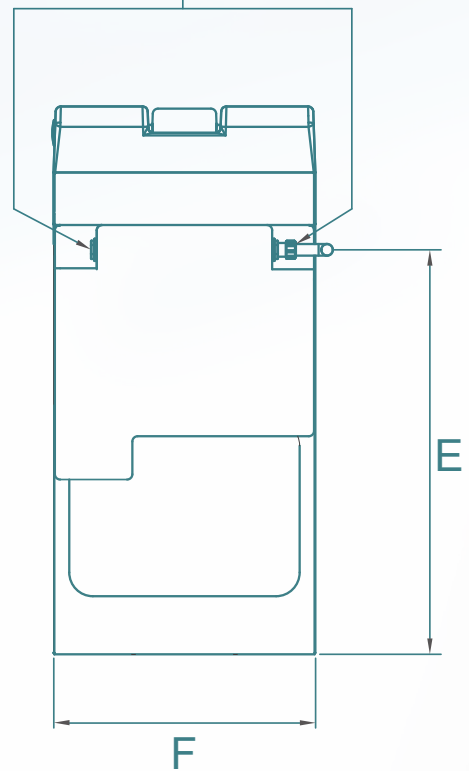
GENERAL	
Stainless Steel grade:	304
Dimensions w x h x d (lid closed):	500 x 1042 ±3 x 600mm
Weight (Machine Only):	Dry 81kg Wet 101kg
Capacity:	2 pots + 2 urine bottles
Ingress protection:	IP22
Operation cycle time:	Approx 9 minutes
Decibel rating:	<70 dba
CHEMICAL SYSTEM	
Recommended chemical:	Aqua Shield
Chemical dosing per cycle:	40.5ml (adjustable to suit water hardness conditions)
ELECTRICAL	
230V Voltage:	230V / 50Hz with dedicated 13A breaker
Circuit protection (230 Voltage):	30mA EPD / GFEP / EGFPD, EN 60947-2
Rated power input:	2.55kW
Electrical consumption per cycle:	0.340kWh
Steam generator power:	2.5kW
Pump power:	0.75kW
Water	
Water connection:	3/4" BSP male fittings required (washing machine hose) x2
Water pressure:	Hot and Cold Water supply pressure 1 - 6 Bar
Water flow rate (Min):	10L per minute at 1 bar
Hot water temperature:	Maximum 50C°
Water tank capacity:	20L
Water consumption per cycle:	41L
Waste connection:	75mm ID (3") Pushfit
Overflow connection:	22mm
Waste Height:	160mm to 360mm - See Installation Preparation Guide for full details.

*Specifications correct at time of print

Dimensions



Overflow output can be connected to left or right of the machine



	Milimeters
A	1500
B	1042 ±3
C	960
D	600
E	766
F	500

DDC



Certificate Number 1181
9001/14001



+44 (0) 1202 731 555

INFO@DDCDOLPHIN.COM

DDCDOLPHIN.COM